

## SL NITRO 510

### LED Strobe Luminaire



The SL NITRO 510 is a cutting-edge new LED based strobe luminaire that provides intense bursts of light and dynamic effects. The tightly packed array of over 1300 high power LEDs ensures maximum output and full-field, even distribution across 120°. The rugged construction, Showline standard LCD menu system, continuous-on operation and lower power consumption guarantee the SL NITRO 510 is the perfect strobe luminaire for any application.

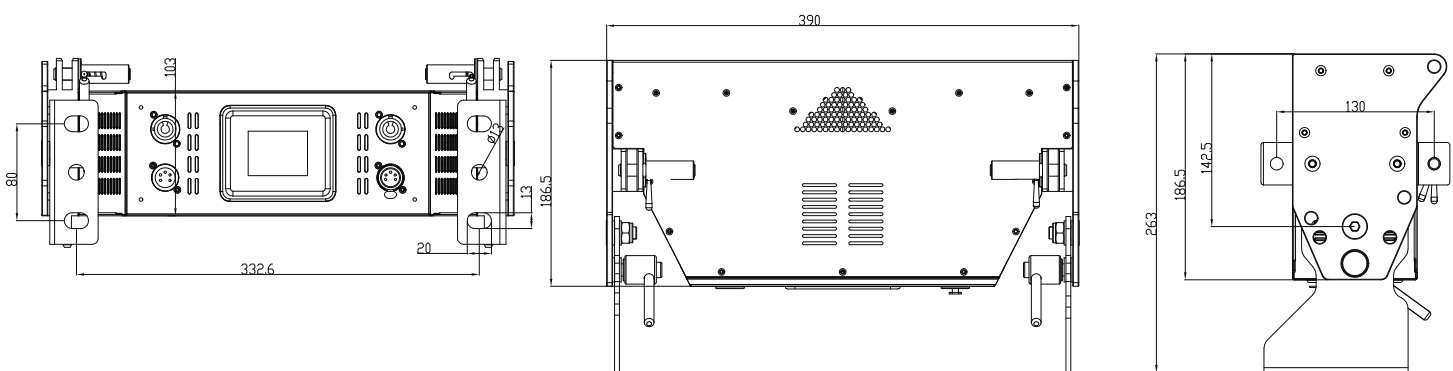
A unique quick-connect systems allows SL NITRO 510 units to connect together easily top-to-bottom and side-by-side. In addition, the form factor of the SL NITRO 510 matches the SL BAR 520 so the two luminaires can be interconnected providing unlimited design possibilities.

Six unique zones of control allow ultimate flexibility while unique built in chases aid in creativity and simplicity. With over 68,000 lumens of output, the SL NITRO 510 rivals conventional strobes and retains dynamic looks whether washing a stage or pointing directly at an audience.

### Features :

- Rugged Construction, IP20
- Physical similarity and connectivity with SL BAR 520
- Quick connections for linking fixtures end-to-end or top/bottom
- 6500 K color temperature
- Six independent zones of control
- Preprogrammed special effects
- Continuous blinder effect
- Built-in presets, effects and chases
- Multiple DMX modes for total control and easy retrofits
- On-board LCD Menu System for addressing and setup
- Remote configuration available via RDM
- PowerCon in and thru power connections
- 5-pin DMX-512A(RDM) in and thru connections
- Quiet temperature-controlled fan cooling
- Auto-ranging power supply (100-240V, 50/60 Hz)

### Drawing Diagram :



## Technical Specifications :

**Version:**

SL NITRO 510, IP20

**Optics:**

120 degree beam angle  
1350 high power White SMD LEDs

**Controls:**

DMX-512A(RDM)  
Local LCD control  
Master/slave

**Modes:**

"Classic" 1, 3, and 4 channel  
16-bit  
16-bit Zone Mapping

**Features:**

Variable strobe : 0 - 650 ms  
Strobe rate : 0 - 30 flashes/second  
Blinder effect : Full on capability of nearly unlimited duration  
without any loss in output  
Special effects : Ramp up, ramp down, ramp up-down,  
random flash, single flash, zone chases and shapes

**Physical:**

100 - 240VAC, 360W  
390mm x 263mm x 103mm, 7Kg  
16" x 11" x 4", 15.4 lbs  
CE, ETL, cTick

**Luminance:**

>68,000 lumens



# SL NITRO

## 510

*"Setting the new standard for strobe lighting"*

## Ordering Information :

SLNITRO510

SL NITRO 510 LED Strobe IP20

*Philips Group 2013. All rights reserved.*

*The Company reserves the right to make any variation in design or construction to the equipment described.*

*E&OE. Philips Entertainment delivers fully integrated lighting solutions; from simple lamps to complete systems designed with the specific needs of the entertainment and specialized display lighting markets.*

[www.philips.com/showline](http://www.philips.com/showline)

Philips Entertainment U.S.  
10911 Petal Street  
Dallas, TX 75238  
Tel: +1 214647 7880  
Fax: +1 214647 8030

Philips Entertainment Lighting Asia Limited  
Unit C, 14/F, Roxy Industry Centre  
No. 41 - 49 Kwai Cheong Road  
Kwai Chung, N.T. Hong Kong  
Tel: +852 27969786  
Fax: +852 27986546

Philips Entertainment Group Europe  
Rondweg Zuid 85  
Winterswijk 7102 JD Netherlands  
Tel: +31 543-542343  
Fax: +31 53 4500425

Philips Entertainment New Zealand  
19 - 21 Kawana Street, Northcote  
Auckland 0627, New Zealand  
Tel: +64 9481 0100  
Fax: +64 9481 0101