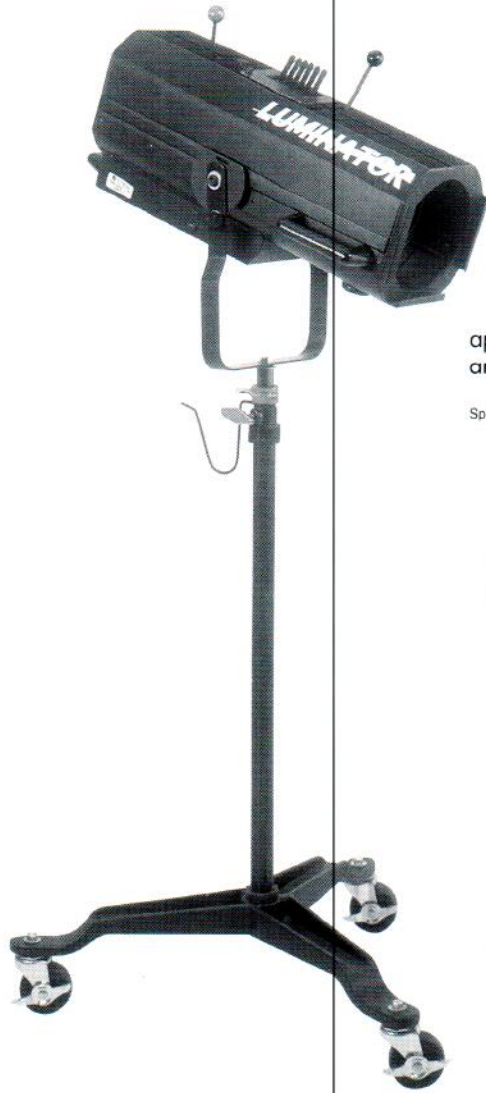


FOLLOW SPOT LIGHTING

Catalog Number
LUMINATOR



Fixture Type:

A ruggedly constructed short to medium throw follow spot, the Luminator produces a narrow, hard or soft edged beam which zooms from 1.3 degrees to 9.3 degrees. With top mounted iris, color boom, and dimmer control handles, this easy to use follow spot is designed to utilize the unique high performance FLE, ENX and FXL quartz halogen lamps. The luminaire can be used in any application where manual control of a lighting beam is required to follow a performer and to vary beam size, quality and color.

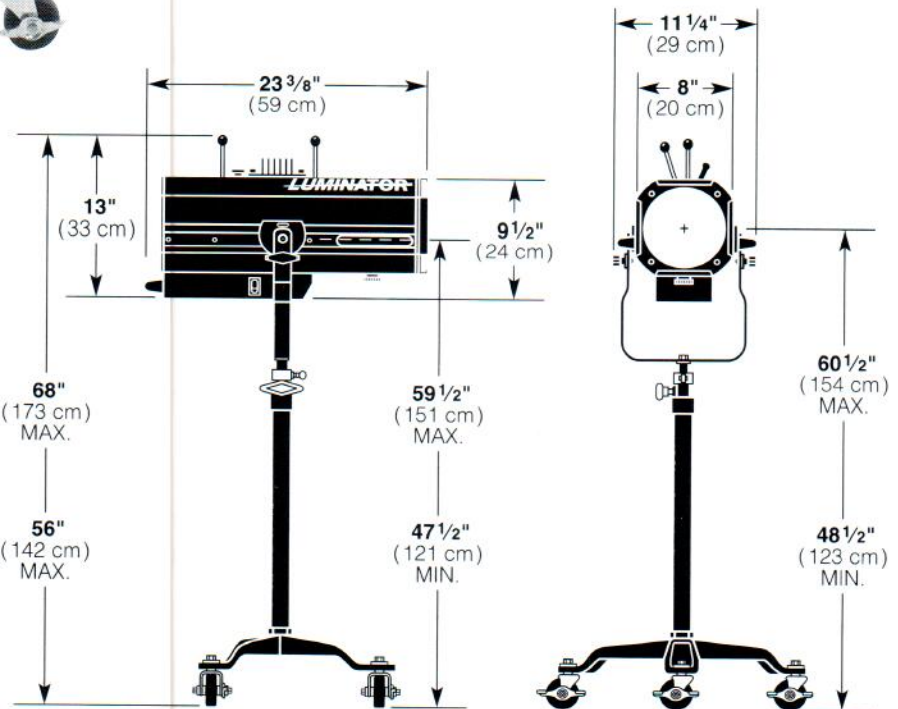
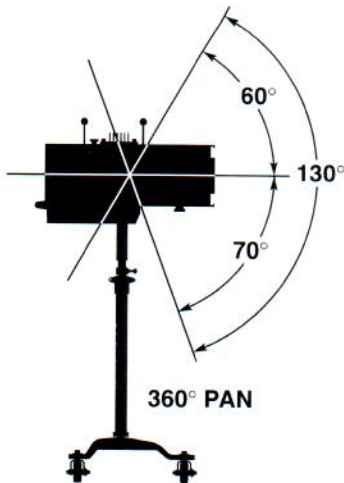
Specifications subject to change without notice

360/410 WATT **LUMINATOR** Follow Spot Features

- Extruded and die cast aluminum construction
- Rugged, compact, and lightweight
- Top operated color boom, iris and dimmer controls
- Six color boomerang
- Dual adjustable lenses
- Positive locking pan and tilt adjustment
- Adjustable castered stand with cable hook included
- High performance lamp
- Front end accessory holder provided
- UPS shippable
- U.L., c.U.L. and CE listed for 410 watts
- Made in the USA

OLDEN LIGHTING
2008 ALEXANDER AVE
AUSTIN, TEXAS 78722
512-416-8080

PAN AND TILT ANGLES:



Specifications

Housing: Extruded and die-cast aluminum construction.

Materials: Construction employs all corrosion-resistant materials and hardware.

Yoke: 1/8" flat steel with dual locking dog tilt handles.

Lenses: Front lens: 6 x 12 plano convex. Rear lens: 3.5 x 8 plano convex.

Socket: Miniature 2-pin, G5.3. Lamp ejector lever provided, tool free relamping.

Rating: Input – 120 VAC, 4.0 amps max.

Power Switch: 120 VAC, 16 amp illuminated rocker switch.

Cooling: Forced air cooling via single low-noise fan, provided with finger guard.

Transformer: 410VA magnetic, Class B, 82 volt secondary

Cable: 11 1/2' 18/3 STW provided with male edison plug.

Access Door: Hinged, allows access to lamp for replacement.

Lamp: 410 watts maximum, 82 volt MR-16 type.

Focusing: Dual zoom lens carriers travel on Teflon and nylon glide bearings along extruded aluminum channels, each lens carrier provided with lock knob.

Iris: 18 leaf, high grade stainless steel. Top operated, with heat resistant knob.

Color Changer: 6 frame friction type color boom allows for single or multiple colors to be inserted into beam path. Color changer removable without the use of tools.

Dimmer/Douser: Mechanical, heat resistant three leaf type. Top operated, with heat resistant knob.

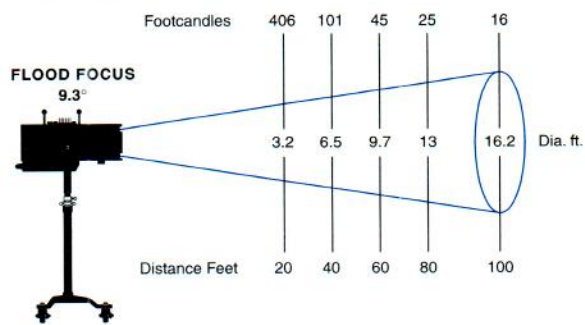
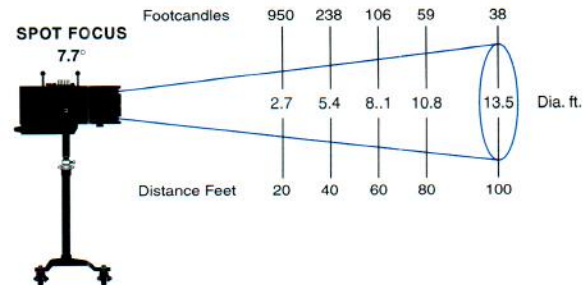
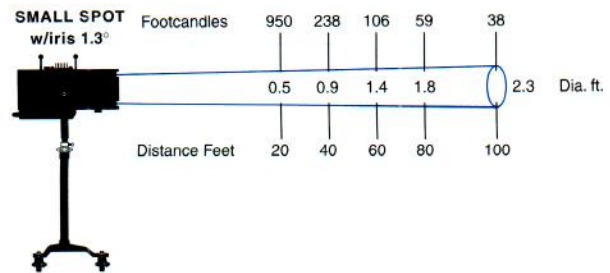
Stand: Three legged stand is height adjustable with locking casters (12" maximum). Height adjustment lock allows for 360° continuous pan. Cable hook also included.

Accessories: Accepts standard 7 1/2" accessories in front end accessory holder.

Finish: Black epoxy sandtex, electrostatic application.

Weight: Approx; 28 lbs. (12.6 kg.) for lamphouse & yoke.
 Approx; 28 3/4 lbs. (2.8 kg.) for stand (base, yoke and support column).
 Total net weight approx; 56 3/4 lbs. (25.5 kg.)

Luminator Follow Spot



Photometric Data for FLE Lamp

LUMINATOR PERFORMANCE CHART WITH FLE LAMP

Fixture Type	Focus	Candlepower (Candela)	Field Angle (Degrees°)
LUMINATOR	Small Spot w/Iris	380,000	1.3°
	Spot	380,000	7.7°
	Flood	162,227	9.3°

LAMP DATA

Watts	Volts	ANSI Code	Color Temp°	Rated Life (Hours)	Correction Factor
360	82	FLE	3,300	75	1.0
360	82	ENX	3,300	75	.6
410	82	FXL	3,300	38	1.1

The Luminator Follow Spot may be ordered with a compact, collapsible stand in place of the standard castered stand. This professional stand features a wide, tri-leg, no rock folding base, sure-grip feet, and a telescoping support column. It is constructed of rugged, lightweight materials and weighs approximately 10 lbs. The catalog number for the LUMINATOR with collapsible stand is **LUMINATOR-C**